

Technical data sheet



Product features

Pizza oven counter top 2 chambers

Model	SAP Code	00000959
--------------	-----------------	----------



- Pizza capacity [cm]: 2x 35 cm
- Stoneplates: Lower
- Stone plates thickness [mm]: 14
- Material: Stainless steel
- Control type: Mechanical
- Type of handle: Short, plastic
- Steam protection: No
- Independent heating zones: Separate control for each chamber
- Chimney for moisture extraction: No
- Adjustable chimney: No
- Interior lighting: No

SAP Code	00000959	Minimum device temperature [°C]	50
Net Width [mm]	550	Maximum device temperature [°C]	300
Net Depth [mm]	498	Width of internal part [mm]	410
Net Height [mm]	380	Depth of internal part [mm]	370
Net Weight [kg]	29.00	Height of internal part [mm]	90
Power electric [kW]	3.000	Pizza capacity [cm]	2x 35 cm
Loading	230 V / 1N - 50 Hz		

Technical data sheet



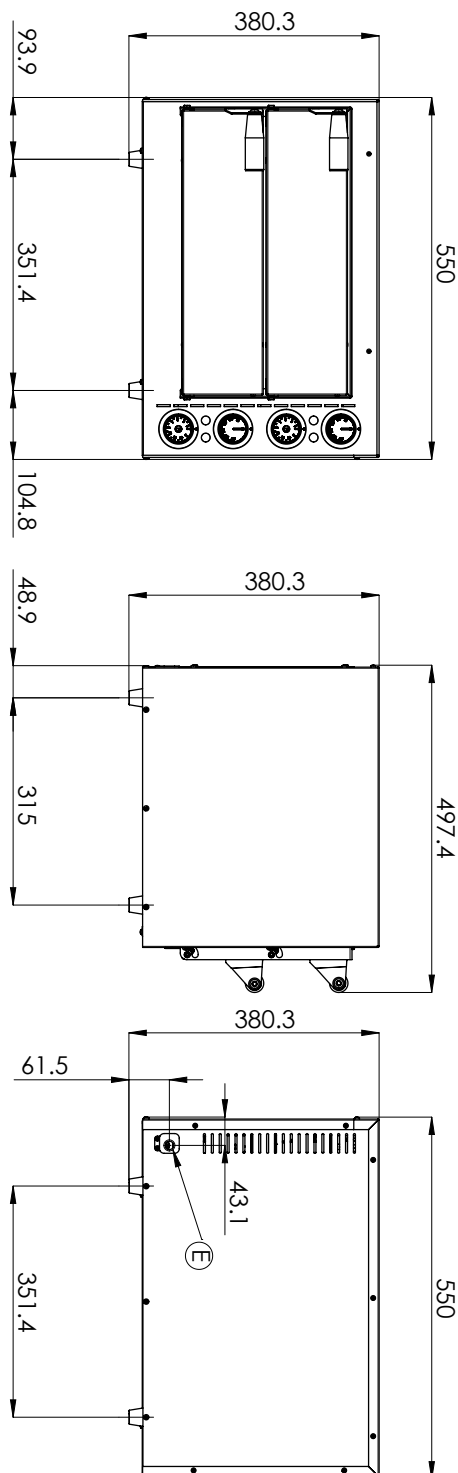
Technical drawing

Pizza oven counter top 2 chambers

Model

SAP Code

00000959



Technical data sheet



Product benefits

Pizza oven counter top 2 chambers

Model

SAP Code

00000959

1

Stainless steel outer shell construction

easy cleaning, high hygienic standard, long service life

- cost savings on the purchase of a new machine, time savings on cleaning and cleaning comfort

2

Manual controls

clear and simple user-friendly temperature settings

- quick and easy for the user to operate, no training required for operation long service life

3

The device is powered from a regular 230v network

the device can be connected anywhere, in case of sufficient securing

- no need for sufficient costs if I do not have a 400V supply

4

Heating the chamber in the temperature range of 50 to 300°C

heating the chamber in the temperature range of 30 to 300 °C

- simple small compact pizza oven at a good price. ideal for chilled / frozen pizza where we save time and costs

Technical data sheet



Technical parameters

Pizza oven counter top 2 chambers

Model

SAP Code

00000959

1. SAP Code:

00000959

2. Net Width [mm]:

550

3. Net Depth [mm]:

498

4. Net Height [mm]:

380

5. Net Weight [kg]:

29.00

6. Gross Width [mm]:

580

7. Gross depth [mm]:

545

8. Gross Height [mm]:

435

9. Gross Weight [kg]:

34.00

10. Material:

Stainless steel

11. Device type:

Electric unit

12. Power electric [kW]:

3.000

13. Loading:

230 V / 1N - 50 Hz

14. Control type:

Mechanical

15. Width of internal part [mm]:

410

16. Depth of internal part [mm]:

370

17. Height of internal part [mm]:

90

18. Minimum device temperature [°C]:

50

19. Maximum device temperature [°C]:

300

20. Pizza capacity [cm]:

2x 35 cm

21. Indicators:

operation

22. Number of internal parts:

2

23. On/Off button:

Yes

24. Type of handle:

Short, plastic

25. Steam protection:

No

26. Protection of controls:

IPX4

27. Stoneplates:

Lower

28. Stone plates thickness [mm]:

14

Technical data sheet



Technical parameters

Pizza oven counter top 2 chambers

Model

SAP Code

00000959

29. Independent heating zones:

Separate control for each chamber

32. Number of cavities:

2

30. Interior lighting:

No

33. Chimney for moisture extraction:

No

31. Safety element:

safety thermostat

34. Adjustable chimney:

No